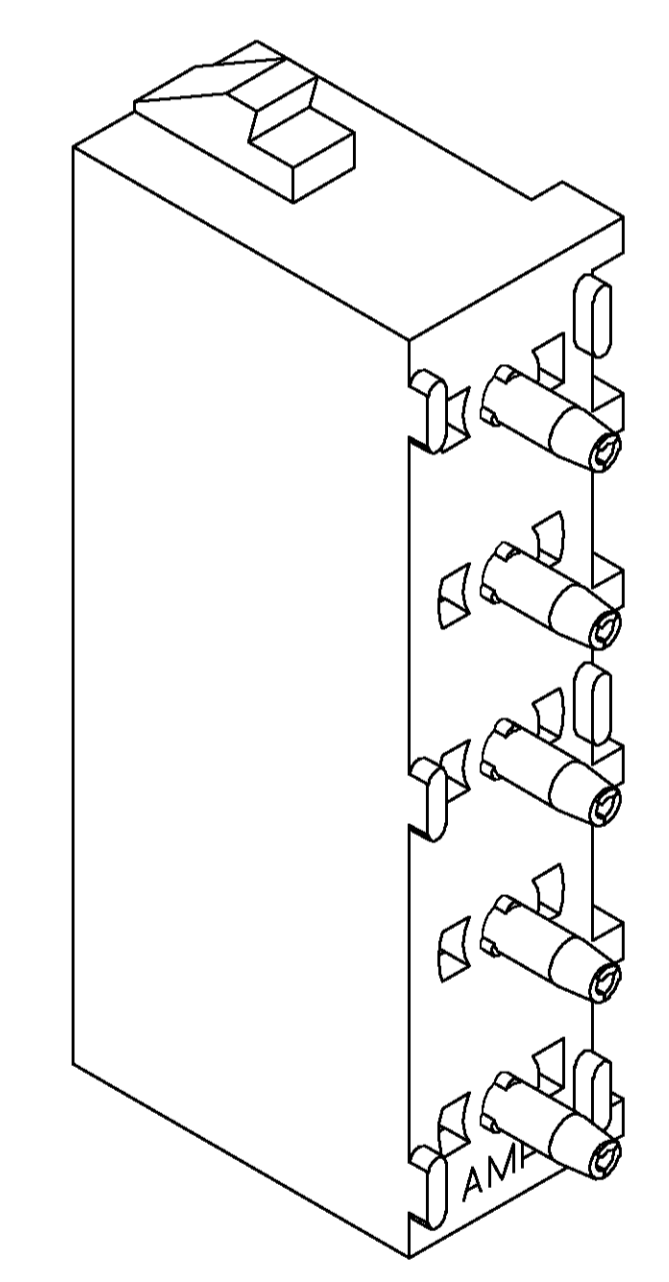


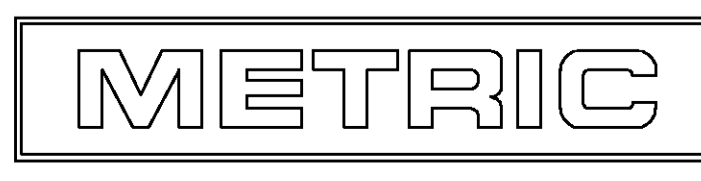
RECOMMENDED MOUNTING HOLE PATTERN FOR 1.57 [.062] THICK P.C. BOARD

- PARTS COMPLY TO AMP SOLDERABILITY SPECIFICATION 109-11-3.
- CONTACT IS PLATED OVERALL WITH 0.00127 [.000050] NICKEL, THEN 0.00076 [.000030] GOLD OVER CONTACT LENGTH INDICATED AND MATTE TIN LEAD ON SOLDER TAIL END.
- CIRCUIT IDENTIFICATION CHARACTERS ARE ADJACENT TO THE INDICATED CAVITIES, BUT LOCATION AND ORIENTATION MAY DIFFER FROM PRINT.
- DIMENSIONS IN BRACKETS ARE IN INCHES.
- CONTACT IS PLATED OVERALL WITH 0.00127 [.000050] NICKEL, THEN 0.00076 [.000030] GOLD OVER CONTACT LENGTH INDICATED AND MATTE TIN ON SOLDER TAIL END.



3-DIMENSIONAL MODEL NTS

PHOSPHOR BRONZE, GOLD	NYLON,UL94V-2,NATURAL	640467-3
PHOSPHOR BRONZE, GOLD	NYLON,UL94V-2,NATURAL	640467-2
PHOSPHOR BRONZE, PRE-TIN	NYLON,UL94V-2,NATURAL	640467-1
CONTACT MATERIAL AND FINISH	HOUSING MATERIAL	PART NUMBER



THIS DRAWING IS A CONTROLLED DOCUMENT.

DIMENSIONS: mm [INCHES]	TOLERANCES UNLESS OTHERWISE SPECIFIED:	DNW: B. LEWIS 10-05-98	APVD: M. TRULL 10-05-98	NAME: Tyco Electronics Corporation, Greensboro, NC 27409
0 PLC ± -	1 PLC ± -	2 PLC ± -	3 PLC ± 0.13 [.005]	4 PLC ± -
ANGLES ± -	FINISH ± 0.30'	MATERIAL: SEE TABLE	FINISH: SEE TABLE	WEIGHT: -
CUSTOMER DRAWING		SCALE: 5:1	SHEET: 1 OF 1	REV: J

SOCKET HEADER ASSEMBLY, 5 CIRCUIT UNIVERSAL MATE-N-LOK™  
 SIZE: A1 CAGE CODE: 00779 DRAWING NO: 640467